

## ▶ VDB / EE

- Compact weigh feeder for continuous weighing of bulk materials and for regulation tasks
- With dustproof enclosure
- Made of mild steel or stainless steel
- ATEX-conform design for zones 21 and 22
- Very good cleaning facilities
- For capacities from 1 to 50 m<sup>3</sup>/h



### DESCRIPTION:

The VDB/EE weigh feeder by Jesma is a compact scale, which is particularly suitable for the food sector and other similar applications with sophisticated requirements due to its design.

The VDB/EE consists of a dustproof enclosure and the weighing belt. The latter is provided with gravimetric belt tension, an inward and outward belt cleaning system, an easily removable material guide and a hood at the inlet hopper. The big removable side cover of the enclosure allows an easy access for all maintenance and cleaning tasks. The weighing belt is constructed to enable a belt change with minimal effort.

The VDB/EE weigh feeder is available in belt lengths of 1,100 mm and in belt widths of 380 mm and 610 mm.

Depending on the material to be weighed - PVC, PU or FDA belts are used. They can be either flat, troughed or with corrugated edge.

### FUNCTIONING:

The continuous material flow rate generates a pressure load upon the weighing section of the weigh feeder.

The weight load is recorded by a high speed precision load cell. The construction of the weighing section guarantees a high measuring accuracy. The belt speed is recorded by means of a tachometer generator moving along with the bend pulley.

The control unit connected in series combines the material weight on the weighing section and the belt speed in order to calculate the current conveying capacity in kg/h or t/h.

An ATEX-conform design for 21 and 22 zones is optionally available.

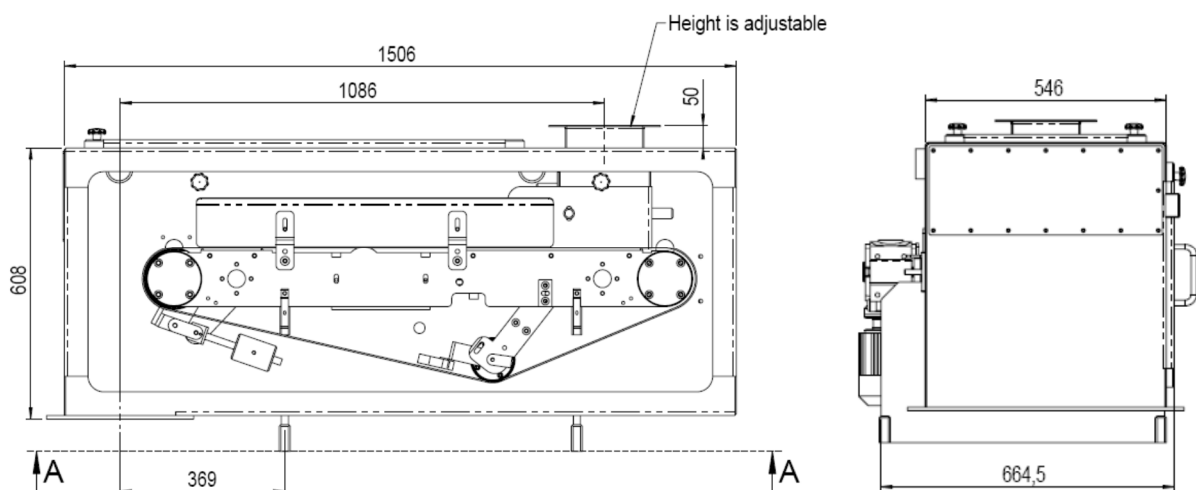


## TECHNICAL DATA:

### VDB/EE Weigh feeder

Design:	mild steel, painted steel or stainless steel
Capacity:	approx. 1 to 50 m <sup>3</sup> /h, subject to belt speed and belt width
Belt speed:	approx. 0.05 to 0.6 m/s
Belt width:	380 mm and 610 mm
Belt length:	1,100 mm
Operating temperature range:	-10°C to +70°C
Sensors:	High speed precision load cell Incremental encoder (tachometer generator) for speed measurement
Combined measuring error of belt scale:	nominal +/- 1 to 2 % in the range from 20 % to 100 % of conveying capacity
Protection class:	min. IP 55

<b>Typical applications:</b>	Food industry Cereals and animal feed industry Chemical-technical industry
------------------------------	--



VDB/EE schematic diagram with belt width 380 mm