

▶ WZ 3510

- Highly precise shear beam load cell with OIML R 60 approval
- Stainless steel design
- For capacities from 300 up to 2,000 kg
- Compact construction, hermetically sealed
- Accuracy up to 0.01 %
- Ex approval optionally



TECHNICAL DATA:

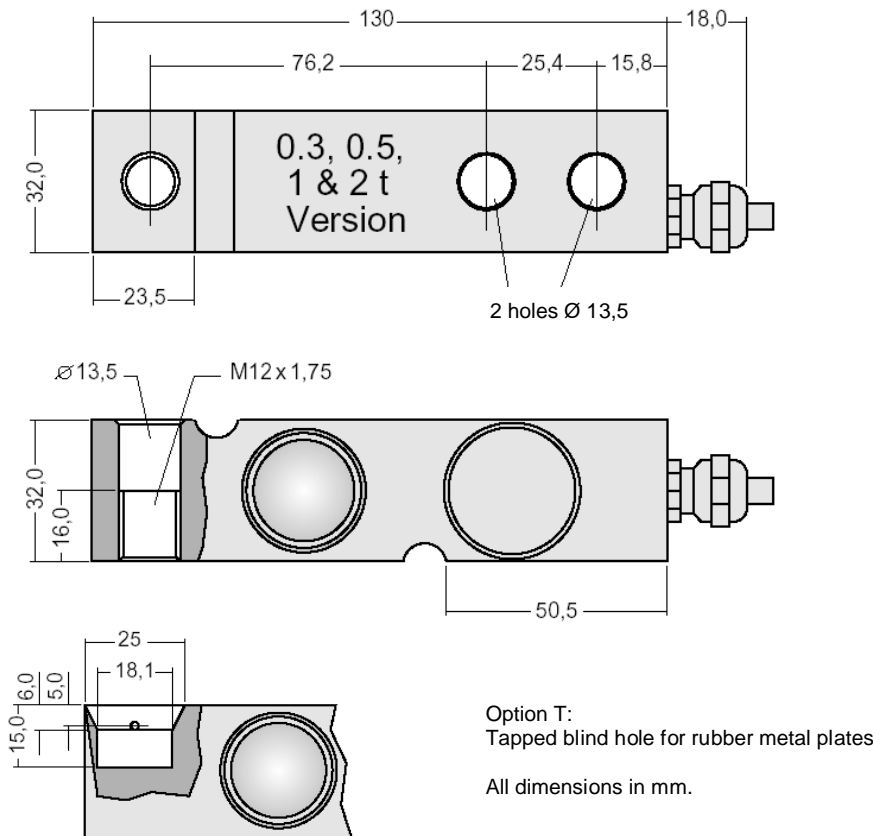
Rated Capacity (R.C.)	kg	300; 500; 750; 1,000; 1,200; 2,000
Accuracy class		C3 and C6
Total error	% of R.O.	± 0.02 (C3) ± 0.01 (C6)
Overload	safe	% of R.C. 150
	ultimate	% of R.C. 300
Excitation	recommended	V DC or AC 10
	maximum	V DC or AC 15
Input resistance	Ω	380 ± 10
Output resistance	Ω	350 ± 3
Rated output (R.O.)	mV/V	2.0
Tolerance of R.O.	% of R.O.	± 0.01
Zero balance	% of R.O.	± 2.0
Zero return, 30 min.	% of applied load	± 0.017 (C3)
		± 0.0083 (C6)
Temperature range	°C	-20 to +70
Temperature effect	on output	% of applied load/°C < ± 0.0010 (C3) / 0.00058 (C6)
	on zero	% of R.O./°C < ± 0.0023 (C3) / 0.0009 (C6)
Insulation resistance at 200 V DC	MΩ	> 2000
Material load cell		Stainless Steel
Electrical connection		5 m shielded 6-wire cable
Protection		IP 68

Following approvals are optionally available:
 Ex approval: EEx ia IIC T6
 Ex approval for zone 2: II 3G EEx nA II T6
 Ex approval for zone 22: II 3D T85°C



DIMENSIONS:

Load cell WZ 3510



Typical applications

Tank and silo weighing
Suspension track scales
Platform scales

Electrical connections

The 3510 load cell is connected via a 6-wire cable, enabling exact measuring results even in case of cable extension or temperature change by subsequently regulating the supply voltage. Of course, a 4-wire cable can also be used. Therefore, the supply voltage is short-circuited to the respective sensor lead ("sense" cable).

