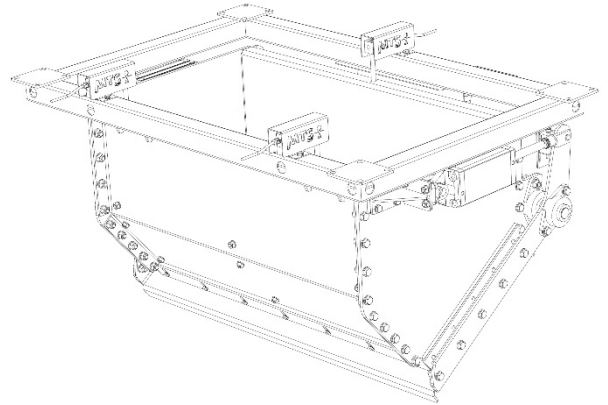


Questionnaire

Conveyor discharge weigher



Please send this questionnaire to:

fax: +49 (0) 29 62 . 97 49 98-88

email: info@mts-waagen.de

Contact

Company name	
Contact person	
Address	
Phone-No.	
email	
Project name	

Bulk material

Product name		
Bulk density	kg/l	
Grain size	mm	
Product properties	<input type="checkbox"/> good free-flowing <input type="checkbox"/> moderate free-flowing	<input type="checkbox"/> with a trend to get stuck <input type="checkbox"/> abrasive
Temperature	°C	

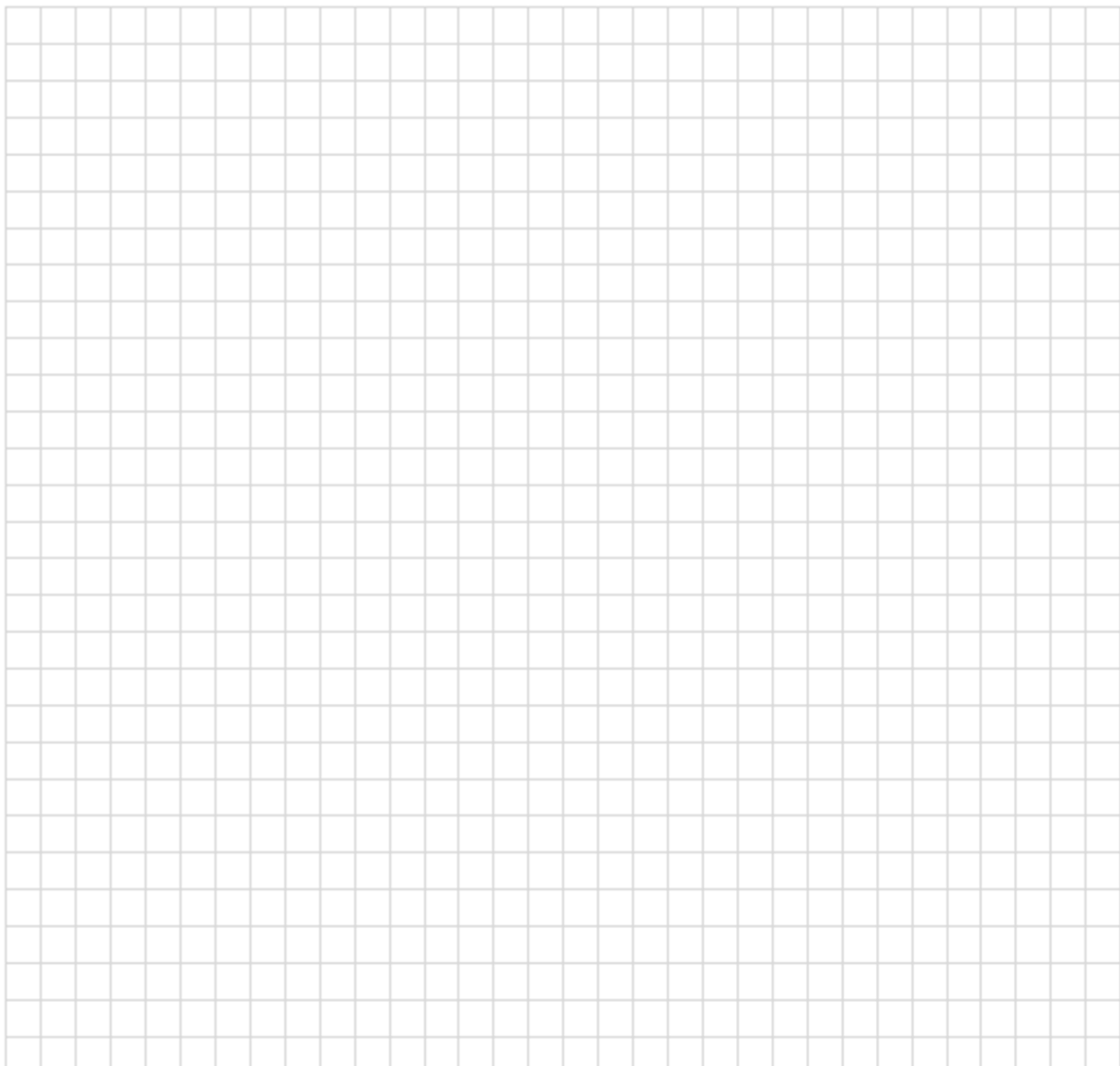
Technical data of application

Flow rate	t/h	from	up to
Material infeed via			
By infeed via belt conveyor:			
Belt width	mm		
Frame width	mm		
Belt speed	m/s		
Material discharge in			
Desired accuracy	%		

Environmental conditions

Temperature	°C		
Vibration existing		<input type="checkbox"/> yes	<input type="checkbox"/> no
Location		<input type="checkbox"/> indoors	<input type="checkbox"/> outdoors
Operation in ATEX		<input type="checkbox"/> yes – zone 22	<input type="checkbox"/> no
Housing in		<input type="checkbox"/> mild steel, powder-coated	<input type="checkbox"/> stainless steel

Drawings/ notes



State: 04/2021

Questionnaire-Conveyor discharge weigher

Place/ date: _____

by: _____