

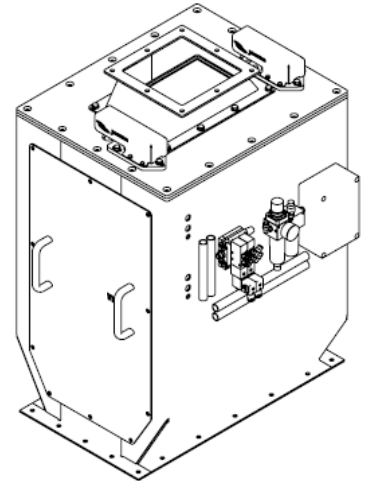
**Questionnaire**

**Throughput weigher**

Please send this questionnaire to:

fax: +49 (0) 29 62 . 97 49 98-88

email: [info@mts-waagen.de](mailto:info@mts-waagen.de)



**Contact**

<b>Company name</b>	
<b>Contact person</b>	
<b>Adress</b>	
<b>Phone-No.</b>	
<b>email</b>	
<b>Project name</b>	

**Technical data of application**

<b>Flow rate</b>	<b>t/h</b>	up	to
<b>Desired accuracy</b>	<b>%</b>		
<b>Application for</b>		<input type="checkbox"/> process control	<input type="checkbox"/> goods receiving/ loading
<b>Legal-for-trade</b>		<input type="checkbox"/> yes	<input type="checkbox"/> no

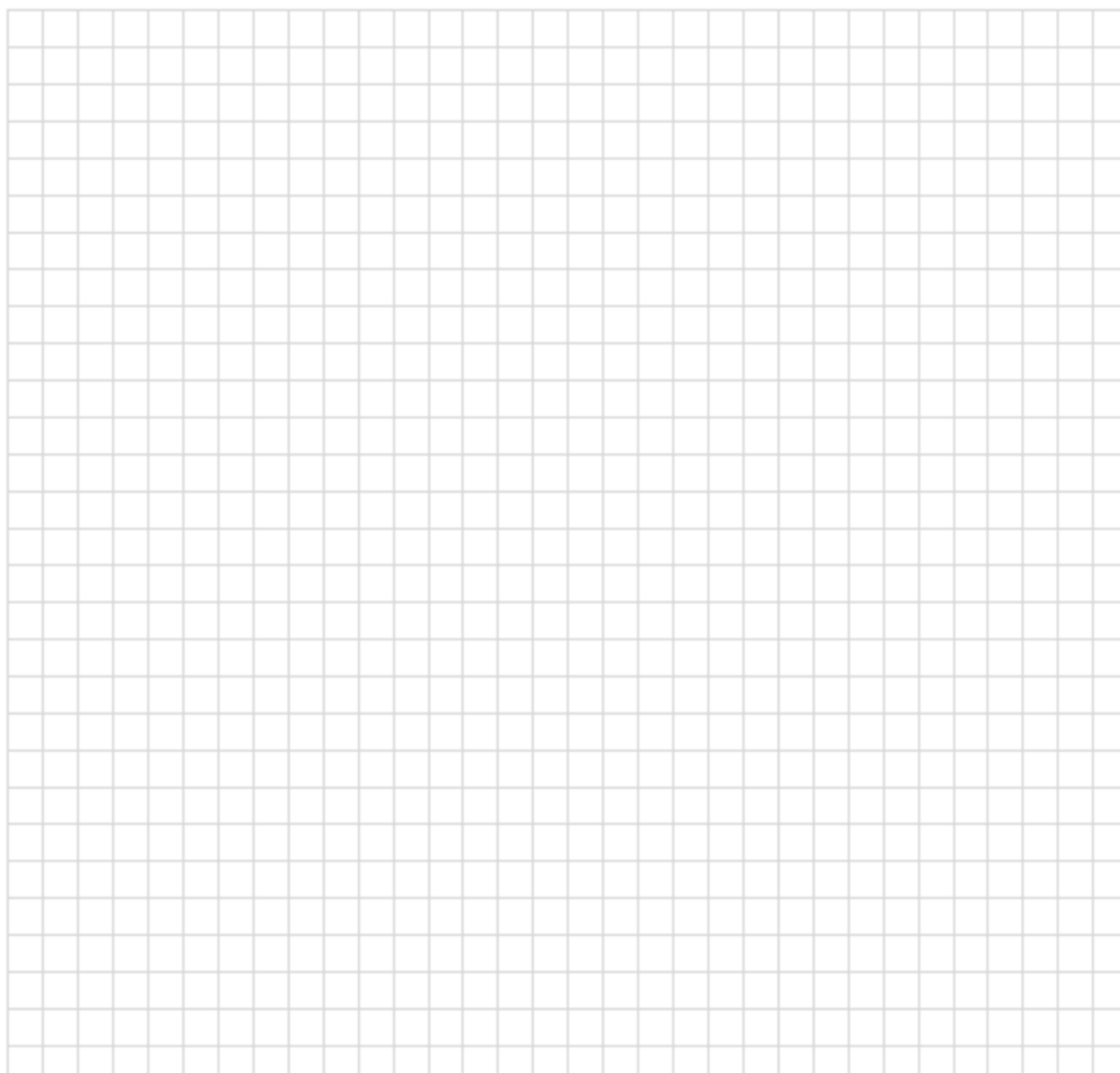
**Environmental conditions**

<b>Temperature</b>	<b>°C</b>	
<b>Infeed</b> (screw conveyor or similar)		
<b>Aspiration existing</b>		<input type="checkbox"/> yes <input type="checkbox"/> no
<b>Airflow existing</b>		<input type="checkbox"/> yes <input type="checkbox"/> no
<b>Vibration existing</b>		<input type="checkbox"/> yes <input type="checkbox"/> no
<b>Location</b>		<input type="checkbox"/> indoors <input type="checkbox"/> outdoors
<b>Operation in ATEX</b>		<input type="checkbox"/> yes - zone: _____ <input type="checkbox"/> no
<b>Housing in</b>		<input type="checkbox"/> steel <input type="checkbox"/> stainless steel

### Bulk material

<b>Product name</b>		
<b>Bulk density</b>	<b>kg/l</b>	
<b>Grain size</b>	<b>mm</b>	
<b>Product properties</b>	<input type="checkbox"/> good free-flowing <input type="checkbox"/> moderate free-flowing	<input type="checkbox"/> with a trend to get stuck <input type="checkbox"/> abrasive
<b>Temperature</b>	<b>°C</b>	

### Drawings/ notes



Place/ date: \_\_\_\_\_

by: \_\_\_\_\_

State: 06/2016

Questionnaire-Throughput weigher